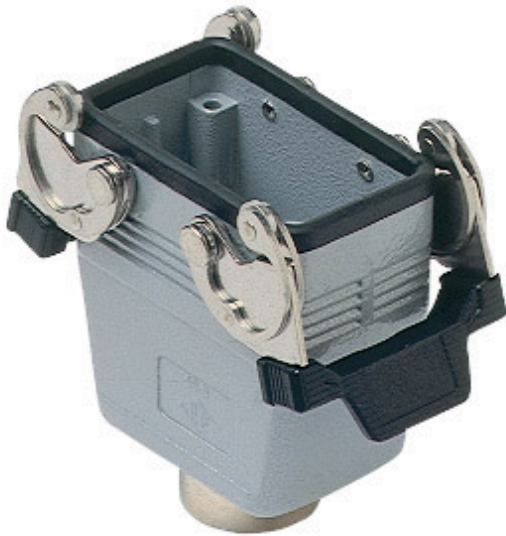


Part number

MAV 10 G32



Brief description:

hoods with two levers, size "57.27", top entry, M32, metal version, IP66

Product description	
Version	metal version
Series	hoods with two levers
Product type	with 2 levers
Variant	top entry
Style	high construction
Family	CLASS enclosures
Size	size "57.27"
Technical data	
Material	metal
IP degree of protection	IP66 (and IP69K DIN 40050 - 9)
Cable entry	M32
Further technical details	
Weight	302,00 g

Approvals / Standards	
Quality mark	UL (type:4/4X/12), CE, EAC
Conformity	CQC, CE
General ordering information	
EAN13 code	8015747052177
Tariff number	85369095
Packaging Information	
Sub-packaging weight	1,51 kg
Sub-packaging description	Plastic packaging
Sub-packaging quantity	5 Pcs
Sub-packaging EAN barcode	8015747052184

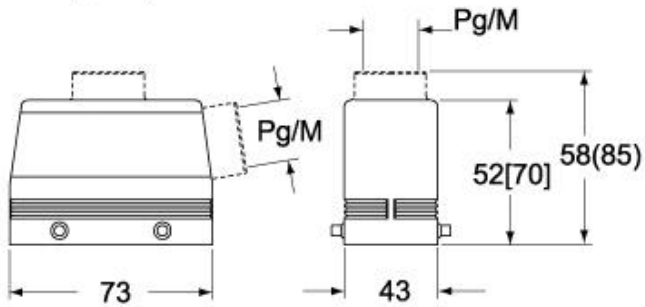
Part number

MAV 10 G32

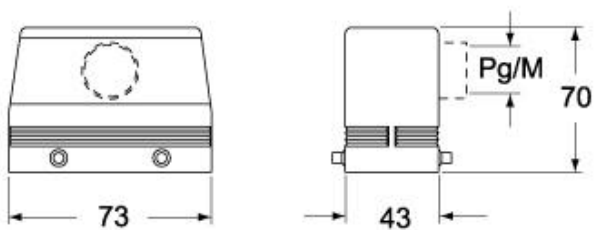


Catalogue drawings

**CHO [CAO] CHV (CAV) - MHO [MAO]
MHV (MAV)**



CAF - MAF/MFF



CHV G (CAV G) - MHV G (MAV G) - [MFV G]

